

BOBBIN WOUND FILTER

ARM COLLECTORS & NOZZLE PLATE



Industrial warranty : 10 years on tank
2 years on components



STRUCTURE AND EQUIPMENT

Liner made of reinforced fibre glass polyester resin : composed with 2 elliptical curved bases and a collar. Axial and radial fibre glass and polyester resin bobbin wound, enabling a smooth balance of pressure.

Upper curved bottom equipped with a centered \varnothing 400 mm stratified manhole with gel coated cover and flat joint, for inspection, filling and access to equipment.
Variable cylindrical collar height allowing the use of a 1 m or 1.2 m filter bed. The 1.2 m is "High Performance".

Stratified conic base 500 mm high, with a perimetric seating rim of 35 to 50 mm to distribute loads on floor.

Inner air bleed by PE tube equipped with strainer.

I/O connections by standardized collars / offset flanges made of PVC, minimum PN10 pressure.

1 1/2" threaded tap on air bleed with manual valve (not supplied).

Drain plug with strainer and 1" threaded water drain connection with manual valve (not supplied).

Upper disperser/diffuser(*), made of PVC or fibre glass and inverter funnel type. Held by bracket.

Nozzle Plate

Lower collector floor, made of glass fibre and polyester resin equipped with nozzles (50 per m² for a speed less than 1 m/s), and long-tail expansion sleeve (110 mm), for back washing or air scour, and 0.30 mm slots.

Collector Arm

Lower collector is PVC strainer type, equipped with PVC tubes, \varnothing 50 to 63 mm (dependant on diameter of filter), with 0.30 mm slots facing downward to enable recovery of filtered water at a speed less than 1m/s.

All filter inner nuts and bolts of quality A4 - 316 L.

All nuts and bolts inside the filter to A4 grade.

Cover and baseplate : RAL 9016

Winding : RAL 5005

All branch connections are sealed by DAQUA standard interior polyester lamination (and not by using nuts and bolts).

THE + PRODUCT

- + From standard to tailored
- + Adaptable to many filtration media
- + Ease of maintenance
- + 20 years of feedbacks

APPLICATION

Mechanical filtration intended for public swimming pool, aquarium or similar applications.

Water treatment

Max. service pressure : 2.5 bars, 4 bars & 6 bars

Test pressure : 3.75 bars, 6 bars and 9 bars according to standard NFT 57:900.

Utilization temperature : 10 to 40°C.

Utilization pH : 6.5 to 8.

Indicative flow rate : 17 to 353 m³/h, dependant on filter diameters and filtration rates.

Filtration speed : 1 to 50 m³/h.



SPOTLIGHT

Flow rate: 25 to 353m³/h

Diametre : 1050 to 3000 mm

BOBBIN WOUND FILTER

ARM COLLECTORS & NOZZLE PLATE



DESCRIPTION

DAQUA controls the entire process from the study to the delivery on site.

The bobbin wound filters made of polyester reinforced with fiberglass, are fully anticorrosive, and have high mechanical, chemical and thermal resistance.



OPTIONS

Vinylester resin for ozone application < 0,4 ppm.

Manhole, ø 400 or ø 500 mm, made of stratified polyester, on collar with gel coated cover and O-ring.

Armhole made of stratified PVC DN200 (ø 225 mm), with solid PVC flange and flat butterfly joint, to position on collar.

Ø 110, 140, 200, 225 or 250 mm sight glass with PVC flange and PMMA window.

LED Inside lighting (only available with PVC flange and PMMA window)

Double-effect aeration valve, ø 1 1/2", on cover (mandatory if filter is positioned above water level).

Set of 2 ABS pressure gauges, ø 63 mm with glycerine bath, 0 – 4 bars, and 2 sample taps.

PVC collar flange netvic ø from 75 to 200 mm.

Colour on request, depending on quantities.

Manual, electric or pneumatic valve battery.

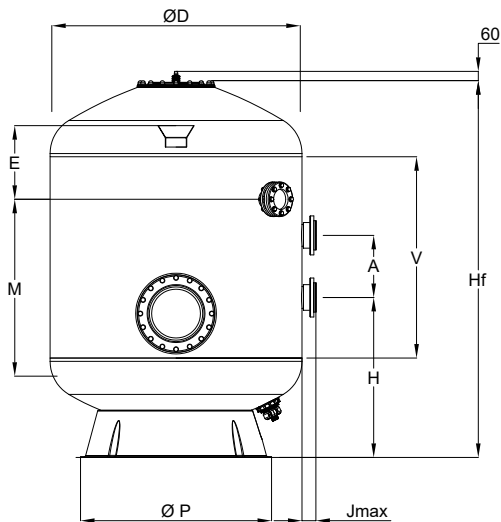


FILTRATION RATE

Diametre mm	Max filtration rate m ³ /h/m ²	I/O flange mm	Max flow rate m ³ /h
1050	30	75	25
	40	75	34
	50	90	43
1200	30	75	33
	40	90	45
	50	90	56
1400	30	90	46
	40	110	61
	50	125	77
1600	30	110	60
	40	110	80
	50	125	100
1800	30	110	76
	40	125	101
	50	140	125
2000	30	125	94
	40	140	125
	50	160	157
2200	30	140	114
	40	160	152
	50	200	190
2350	30	140	130
	40	160	175
	50	200	217
2500	30	160	150
	40	200	200
	50	225	250
2600	30	160	159
	40	200	212
	50	225	265
2800	30	200	185
	40	225	246
	50	250	308
3000	30	200	212
	40	225	282
	50	250	353

BOBBIN WOUND FILTER

ARM COLLECTORS - 1M MEDIA



Ref.	Description	Granulometry	Packaging	
			Bags	Palettes
GHYN	Hydroanthracite	0,8-1,6mm	20kg	50 bags
GSA	Sand	0,5-1,5mm	25kg	40 bags
GCR	Gravel	2-4 mm	25kg	40 bags

DIMENSIONS

Ø D	E	M	V	Ø P	Jmax	A	H	Hf
1050	450	1000	1371	795	81	300	925	2122
1200	450	1000	1342	900	81	300	925	2169
1400	450	1000	1203	1065	90	400	960	2189
1600	450	1000	1046	1230	99	400	1030	2176
1800	450	1000	962	1395	106	400	1060	2234
2000	450	1000	978	1562	118	400	1110	2344
2200	450	1000	926	1848	124	400	1080	2380
2350	450	1000	860	1848	136	400	1085	2474
2500	450	1000	954	2030	149	400	1215	2629
2600	450	1000	974	2030	149	400	1150	2575
2800	450	1000	985	2459	165	400	1168	2476
3000	450	1000	774	2386	165	400	1360	2832

WEIGHT AND FILTER MEDIA

Bobbin wound filters with arm collectors, filter media 1m (20/80)												
Ø D	1050	1200	1400	1600	1800	2000	2200	2350	2500	2600	2800	3000
Empty Weight (kg)	140	170	200	250	300	350	550	590	700	800	880	900
Gravel (20cm)	150	175	325	475	550	1050	1125	1250	1650	1800	2250	2750
Sand (80cm)	1050	1350	1875	2425	3100	3825	4625	5250	5925	6400	7450	8550
Hydroanthracite	-	-	-	-	-	-	-	-	-	-	-	-
Operating weight* (kg)	1750	2200	2900	3900	5200	6400	8000	10000	12700	15500	17800	19700

- The weights and quantities indicated are for guidance only and DAQUA accepts no responsibility for their accuracy.
- * Including water volume

OTHER FILTRATION MEDIA

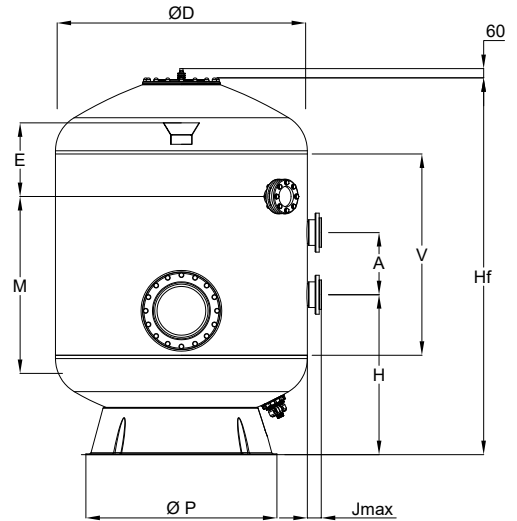
DAQUA filters are designed to work with all conventional filter media such as: sand, hydroanthracite or glass. But also with: zeolite, activated carbon (industry / drinking water / thermal baths, etc ...), biogrog (aquaculture), moerl (reminerzalization), calcite (neutralization), aquamandix (de-ironing and demanganization), corn cob (water loaded with fuel residues), etc ... Please indicate the chosen media during the request of quotation.

BOBBIN WOUND FILTER

ARM COLLECTORS- 1,2M MEDIA



Ref.	Description	Granulometry	Packaging	
			Bags	Palettes
GHYN	Hydroanthracite	0,8-1,6mm	20kg	50 bags
GSA	Sand	0,5-1,5mm	25kg	40 bags
GCR	Gravel	2-4 mm	25kg	40 bags



DIMENSIONS

Ø D	E	M	V	Ø P	Jmax	A	H	Hf
1050	500	1200	1621	795	81	300	925	2372
1200	500	1200	1540	900	81	300	950	2419
1400	500	1200	1453	1065	90	400	960	2439
1600	500	1200	1296	1230	99	400	1030	2426
1800	500	1200	1212	1395	106	400	1060	2484
2000	500	1200	1228	1562	118	400	1110	2594
2200	500	1200	1126	1848	124	400	1160	2580
2350	500	1200	1060	1848	136	400	1185	2674
2500	500	1200	1154	2030	149	400	1300	2829
2600	500	1200	1174	2030	149	400	1300	2775
2800	500	1200	1235	2459	165	400	1386	2726
3000	500	1200	866	2386	165	400	1410	2924

WEIGHT AND FILTER MEDIA

Bobbin wound filters with arm collectors, filter media 1m20 (20/80/20)												
Ø D	1050	1200	1400	1600	1800	2000	2200	2350	2500	2600	2800	3000
Empty Weight (kg)	150	180	210	260	315	365	570	610	725	825	910	930
Gravel (20cm)	150	175	325	475	550	1050	1125	1250	1650	1800	2250	2750
Sand (80 cm)	1050	1350	1875	2425	3100	3825	4625	5250	5925	6400	7450	8550
Hydroanthracite (20cm)	150	175	225	300	375	475	575	650	725	800	900	1050
Operating weight* (kg)	1800	2350	3050	4130	5525	6795	8650	10830	13325	16225	18610	19930

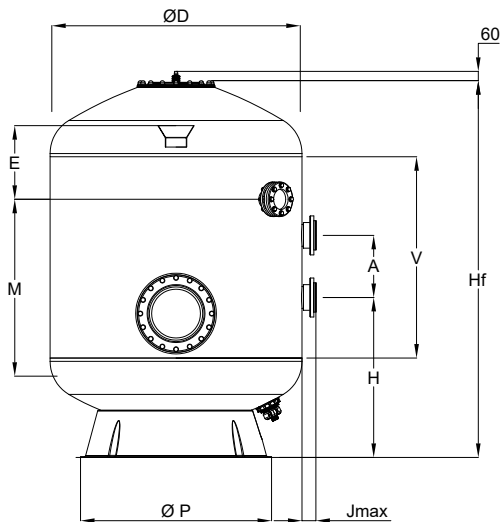
- The weights and quantities indicated are for guidance only and DAQUA accepts no responsibility for their accuracy.
- * Including water volume

OTHER FILTRATION MEDIA

DAQUA filters are designed to work with all conventional filter media such as: sand, hydroanthracite or glass. But also with: zeolite, activated carbon (industry / drinking water / thermal baths, etc ...), biogrog (aquaculture), moerl (reminerzalization), calcite (neutralization), aquamandix (de-ironing and demanganization), corn cob (water loaded with fuel residues), etc ... Please indicate the chosen media during the request of quotation.

BOBBIN WOUND FILTER

NOZZLE PLATE - 1M MEDIA



Ref.	Description	Granulometry	Packaging	
			Bags	Palettes
GHYN	Hydroanthracite	0,8-1,6mm	20kg	50 bags
GSA	Sand	0,5-1,5mm	25kg	40 bags
GCR	Gravel	2-4 mm	25kg	40 bags

DIMENSIONS

Ø D	E	M	V	Ø P	Jmax	A	H	Hf
1050	450	1000	1371	795	81	300	925	2122
1200	450	1000	1342	900	81	300	925	2169
1400	450	1000	1203	1065	90	400	960	2189
1600	450	1000	1046	1230	99	400	1030	2176
1800	450	1000	962	1395	106	400	1060	2234
2000	450	1000	978	1562	118	400	1110	2344
2200	450	1000	926	1848	124	400	1080	2380
2350	450	1000	860	1848	136	400	1085	2474
2500	450	1000	954	2030	149	400	1215	2629
2600	450	1000	974	2030	149	400	1150	2575
2800	450	1000	985	2459	165	400	1168	2476
3000	450	1000	774	2386	165	400	1360	2832

WEIGHT AND FILTER MEDIA

Bobbin wound filters with nozzle plate, filter media 1m00 (10/90)												
Ø D	1050	1200	1400	1600	1800	2000	2200	2350	2500	2600	2800	3000
Empty Weight (kg)	155	190	225	290	345	410	635	675	820	920	1020	1040
Gravel (10 cm)	125	175	225	300	350	450	550	500	700	750	900	1000
Sand (90 cm)	1100	1425	1950	2550	3200	3950	4800	5475	6200	6700	7800	8900
Hydroanthracite	-	-	-	-	-	-	-	-	-	-	-	-
Operating weight* (kg)	1765	2270	3015	3990	5355	6620	8185	10245	13070	15620	17820	19340

- The weights and quantities indicated are for guidance only and DAQUA accepts no responsibility for their accuracy.
- * Including water volume

OTHER FILTRATION MEDIA

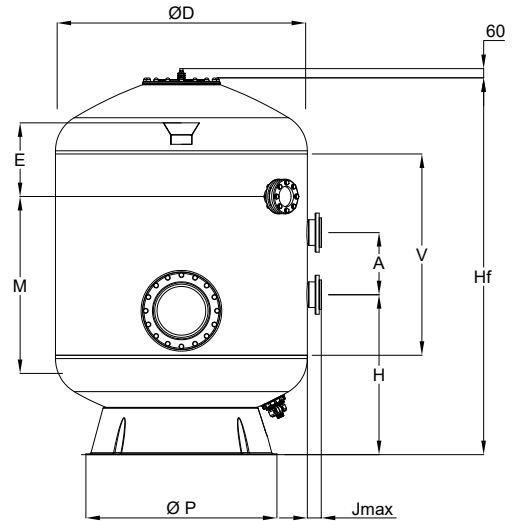
DAQUA filters are designed to work with all conventional filter media such as: sand, hydroanthracite or glass. But also with: zeolite, activated carbon (industry / drinking water / thermal baths, etc ...), biogrog (aquaculture), moerl (remineralization), calcite (neutralization), aquamandix (de-ironing and demanganization), corn cob (water loaded with fuel residues), etc ... Please indicate the chosen media during the request of quotation.

BOBBIN WOUND FILTER

NOZZLE PLATE- 1,2M MEDIA



Ref.	Description	Granulometry	Packaging	
			Bags	Palettes
GHYN	Hydroanthracite	0,8-1,6mm	20kg	50 bags
GSA	Sand	0,5-1,5mm	25kg	40 bags
GCR	Gravel	2-4 mm	25kg	40 bags



DIMENSIONS

Ø D	E	M	V	Ø P	Jmax	A	H	Hf
1050	500	1200	1621	795	81	300	925	2372
1200	500	1200	1540	900	81	300	950	2419
1400	500	1200	1453	1065	90	400	960	2439
1600	500	1200	1296	1230	99	400	1030	2426
1800	500	1200	1212	1395	106	400	1060	2484
2000	500	1200	1228	1562	118	400	1110	2594
2200	500	1200	1126	1848	124	400	1160	2580
2350	500	1200	1060	1848	136	400	1185	2674
2500	500	1200	1154	2030	149	400	1300	2829
2600	500	1200	1174	2030	149	400	1300	2775
2800	500	1200	1235	2459	165	450	1386	2726
3000	500	1200	866	2386	165	450	1410	2924

WEIGHT AND FILTER MEDIA

Bobbin wound filters with nozzle plate, filter media 1m20 (10/90/20)												
Ø D	1050	1200	1400	1600	1800	2000	2200	2350	2500	2600	2800	3000
Empty Weight (kg)	165	200	235	300	360	425	655	695	845	945	1050	1070
Gravel (10 cm)	125	175	225	300	350	450	550	600	700	750	900	1000
Sand (90 cm)	1100	1425	1950	2550	3200	3950	4800	5475	6200	6700	7800	8900
Hydroanthracite (20 cm)	125	175	225	300	375	475	575	650	725	800	900	1050
Operating weight* (kg)	1900	2350	3135	4750	5860	7475	9080	11205	14145	16645	18995	20570

- The weights and quantities indicated are for guidance only and DAQUA accepts no responsibility for their accuracy.
- * Including water volume

OTHER FILTRATION MEDIA

DAQUA filters are designed to work with all conventional filter media such as: sand, hydroanthracite or glass. But also with: zeolite, activated carbon (industry / drinking water / thermal baths, etc ...), biogrog (aquaculture), moerl (reminerzalization), calcite (neutralization), aquamandix (de-ironing and demanganization), corn cob (water loaded with fuel residues), etc ... Please indicate the chosen media during the request of quotation.